

INVACARE®
PINDOT®
CUSTOM SEATING



Personalized Seating Solutions

State-of-the-art technology and computer-assisted manufacturing from PinDot produces custom contoured seat and back cushions for precise support and excellent stability when off-the-shelf products won't accomplish your seating needs.

Call to order
1.800.451.3553
invacare.com



PINDOT® CLIP – COLOR LASER IMAGING BY PINDOT

The wireless technology found in the PinDot CLIP sets up in seconds, giving you the freedom to capture the molded shape without being tied to a laptop. View images from the CLIP in color or solid mesh after scanning the mold with digital accuracy for the clearest of detail.

With the push of a button, email the scan information and your product specifications to PinDot. The result? PinDot quality you trust for even the most complex cases.

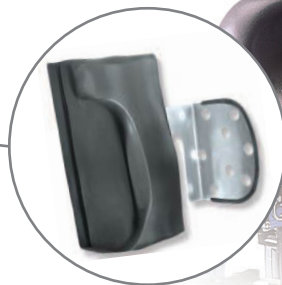


PINDOT® CONTOURU®

With PinDot ContourU, user simulation creates an individually shaped support surface for optimal support and stability and a precise individual fit that is designed to provide exceptional pressure redistribution and positioning.

Multiple finishing options are available, including “naked” foam with a removable cover for increased comfort or a non-removable vacuformed vinyl for stability and increased foam protection.

Aluminum or ABS plastic reinforcements are custom fit and built into the cushion, minimizing the need for additional support accessories.



PINDOT® SILHOUETTE® SERIES

PinDot Silhouette creates optimal product contouring for positioning and balance within the wheelchair frame through User Simulation or Molding. Precise, custom-carved polyurethane foam in soft and firm are designed to provide exceptional pressure redistribution and positioning, even for users with orthopedic asymmetries.

A moisture-proof coating seals and protects the foam from moisture and allows the cushions to be easily wiped clean. For additional foam protection, add an optional moisture-proof and anti-microbial inner cover.

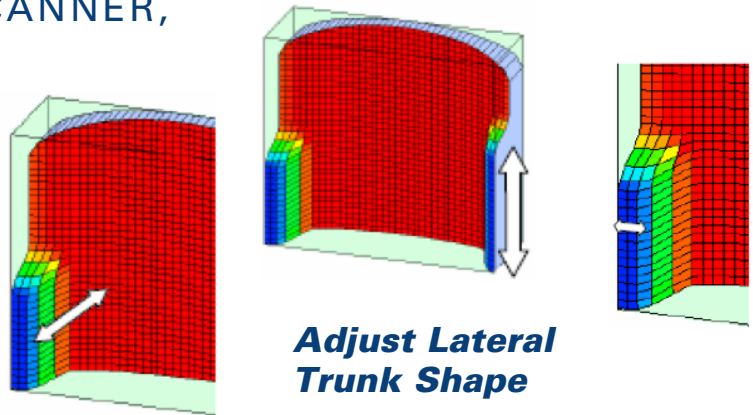
Utilize the Invacare® Matrix® Elite™, Elite™ TR and Elite™ PB back shells for a more contoured look with the ease and adjustability of the Matrix Easy Set Hardware.



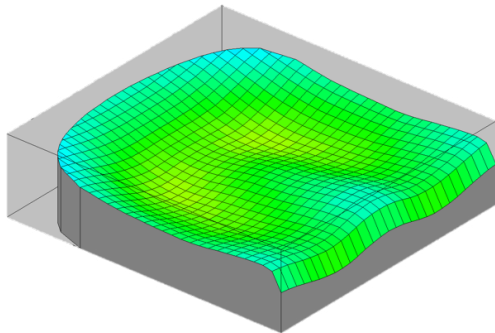
PINDOT® SILHOUETTE CUSTOM BASIC

NO SIMULATOR, NO TABLET/SCANNER, SAME GREAT CUSHION/BACK

The PinDot Silhouette Custom Basic sets simulation aside and allows you to design a cushion to fit the needs of your client. Start with pre-captured shapes, use measurements from your mat evaluation and specify any needed modifications through our computer-aided design software, or fill out an order form and let PinDot do the work for you.



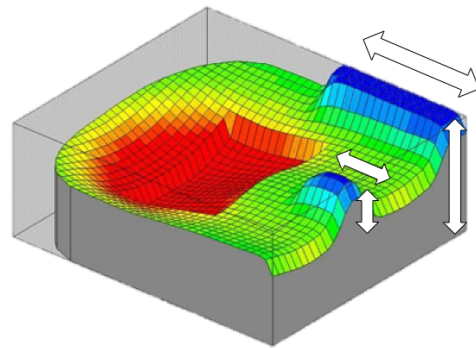
Adjust Lateral Trunk Shape



Pre-captured Shape

Finished Designed Cushion

We offer training on Silhouette Custom Basic...Contact us to find out more



Every PinDot Cushion and Back is crafted with pride in Elyria Ohio!

To learn more about PinDot Custom Seating product or to request certification training please email us at elyriacustomseating@invacare.com or call **1.800.451.3553**.

Invacare Corporation
www.invacare.com

USA
1200 Taylor Street
Elyria, Ohio
44035-4190
(800) 333-6900

©2020
Invacare Corporation.
All rights reserved.
Trademarks are identified by the symbols ™ and ®. All trademarks are owned by or licensed to Invacare Corporation unless otherwise noted. Specifications are subject to change without notification.
Form No. 18-034
Rev. 09/20 200702

